

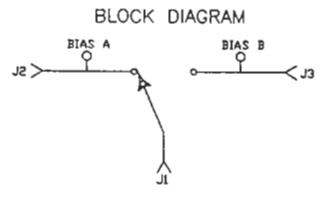
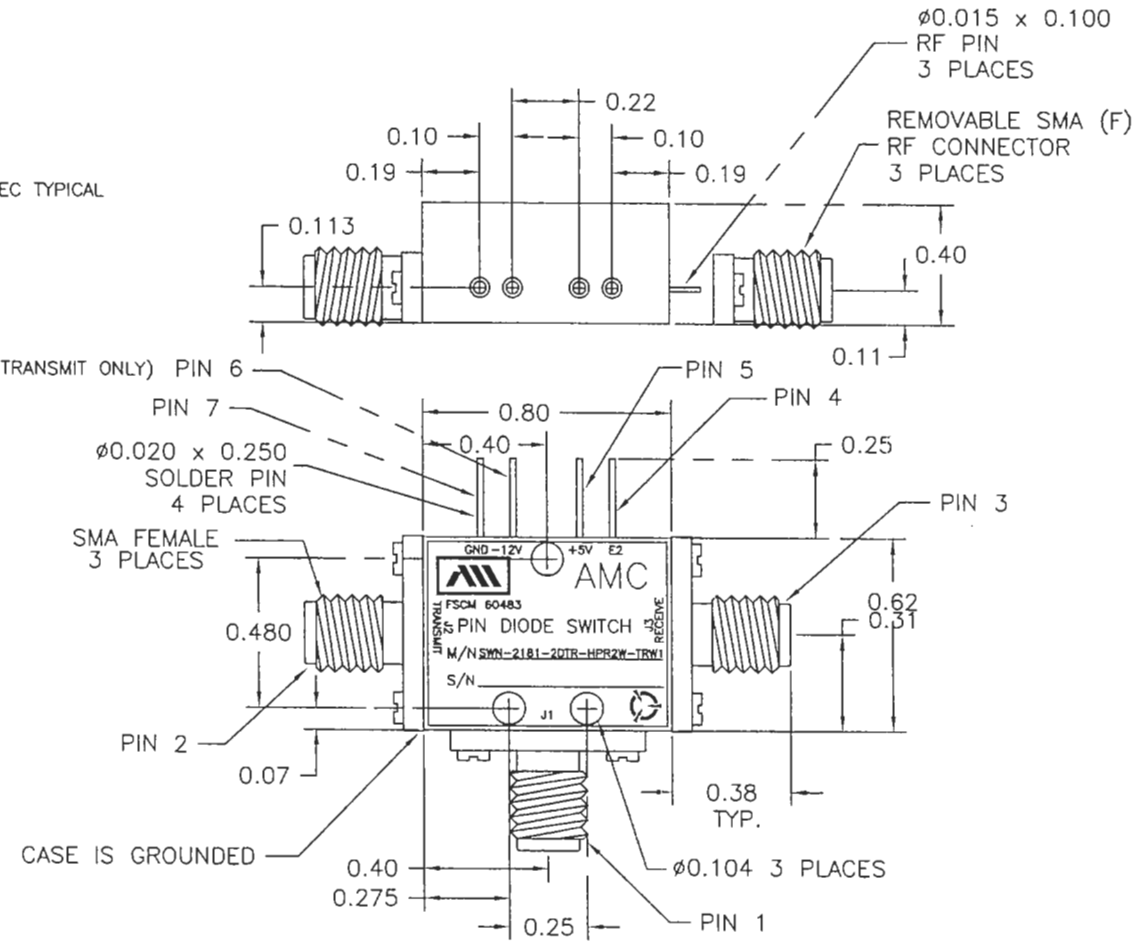
**DESCRIPTION:**

AMC MODEL NUMBER SWN-2181-2DTR-HPR2W-TRW1 IS A SINGLE POLE DOUBLE THROW PIN DIODE SWITCH MODULE WITH LOW INSERTION LOSS, AND HIGH ISOLATION. DESIGNED FOR THE 5.6 TO 6.0 GHz FREQUENCY BAND AND WITH POWER HANDLING OF 1.5 WATTS.

REVISIONS				
ZONE	REV.	DESCRIPTION	DATE	APPROVED
-	-	ORIGINAL RELEASE, JOB# 810213E	10/30/03	

**SPECIFICATIONS:**

- FREQUENCY: 5.6 GHz TO 6.0 GHz
- INSERTION LOSS: 2.0 db MAXIMUM, 1.5 TYPICAL
- VSWR: 2.0:1 MAXIMUM, 1.5:1 TYPICAL
- ISOLATION: 70 dB MINIMUM
- SPEED: TURN ON/OFF 300 nSEC MAXIMUM, 200 nSEC TYPICAL
- CONTROL: SINGLE CONTROL TTL TOGGLE  
 LOGIC "0" = J1-J2 ON (TRANSMIT)  
 LOGIC "1" = J1-J3 ON (RECEIVE)
- J1: COMMON PORT
- J2: TRANSMIT PORT
- J3: RECEIVE PORT
- POWER HANDLING: 1.5 WATT MINIMUM, 2.0 WATTS TYPICAL (J2 TRANSMIT ONLY) PIN 6  
 100 MILLIWATTS (J3 RECEIVE ONLY)
- POWER SUPPLY: +5V @ 100 mA MAXIMUM  
 -12V @ 75mA MAXIMUM
- RECEIVE ARM (J3) INTERNALLY TERMINATED/NON REFLECTIVE
- TRANSMIT ARM (J2) REFLECTIVE



**ENVIRONMENTAL RATINGS:**

- TEMPERATURE: -55°C TO +85°C (OPERATING)  
 -65°C TO +125°C (STORAGE)
- HUMIDITY: MIL-STD-202F, METHOD 103B COND. B
- SHOCK: MIL-STD-202F, METHOD 213B COND. B
- VIBRATION: MIL-STD-202F, METHOD 204D COND. B
- ALTITUDE: MIL-STD-202F, METHOD 105C COND. B
- TEMPERATURE CYCLE: MIL-STD-202F, METHOD 107D COND. A

ALL DIMENSIONS ARE IN INCHES  
 TOLERANCES:  
 X.XX ±0.020  
 X.XXX ±0.010

NOTE: SPECIFICATIONS WILL VARY OVER OPERATING TEMPERATURE  
 NOTE: THE ABOVE SPECIFICATIONS ARE SUBJECT TO CHANGE OR REVISION

APPROVALS		DATE	AMERICAN MICROWAVE CORPORATION FREDERICK, MARYLAND	
DRAWN	WBL	10/30/03	TITLE PRODUCT FEATURE SWN-2181-2DTR-HPR2W-TRW1 5.6 TO 6.0 GHz, SINGLE POLE TWO THROW SWITCH	
REDRAWN	JDJ	8/24/04	SIZE	FSCM NO.
ISSUED	LA	8/21/04	A	60483
			OWG NO.	REV.
			100-6817	-
			SCALE	SHEET
			N/S	1 of 3